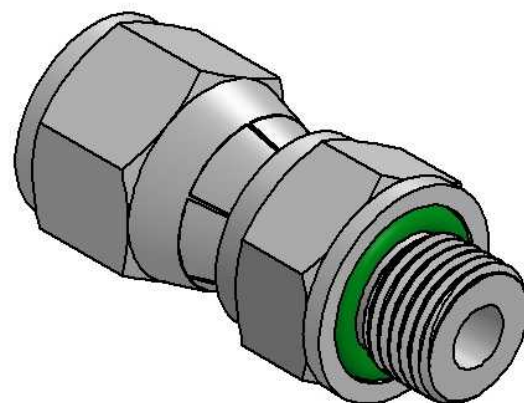
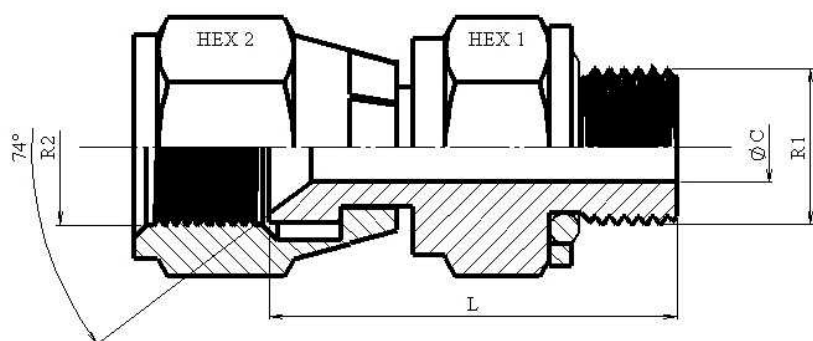


Racores JIC 37º

Uniones rectas JIC 37º

## Racor macho BSP - hembra giratoria JIC 37º

Acero Inoxidable AISI 316-L



Artículo	ØD1	ØD2	R1	R2	O'Ring	L	HEX 1	HEX 2	ØC
<b>ZS1800610</b>	6	1/4"	1/8" BSP	7/16" 20h UNF	7x2	25,5	14	14	4
<b>ZS1800813</b>	8	5/16"	1/4" BSP	1/2" 20h UNF	9,92x2,62	30	19	17	6
<b>ZS1801013</b>	10	3/8"	1/4" BSP	9/16" 18h UNF	9,92x2,62	31	19	19	6
<b>ZS1801017</b>	10	3/8"	3/8" BSP	9/16" 18h UNF	13,94x2,62	32	24	19	6
<b>ZS1801021</b>	10	3/8"	1/2" BSP	9/16" 18h UNF	17,12x2,62	35	27	19	6
<b>ZS1801217</b>	12	1/2"	3/8" BSP	3/4" 16h UNF	13,94x2,62	31	22	24	10
<b>ZS1801221</b>	14-15-16	5/8"	M 1/2" BSP	H 3/4" 16h UNF	17,12x2,62	36,7	27	27	10
<b>ZS1801621</b>	14-15-16	5/8"	1/2" BSP	7/8" 14h UNF	17,12x2,62	38	30	27	12
<b>ZS1802026</b>	18-20	3/4"	3/4" BSP	1" 1/16 12h UNF	22,22x2,62	41	36	32	15
<b>ZS1802533</b>	25	1"	1" BSP	1" 5/16 12h UNF	29,74x3,53	47,5	46	41	21,5
<b>ZS1803242</b>	30-32	1" 1/4	1" 1/4 BSP	1" 5/8 12h UNF	37,69x3,53	51	50	50	26
<b>ZS1803848</b>	38	1" 1/2	1" 1/2 BSP	1" 7/8 12h UNF	42,86x3,53	55,5	60	55	33